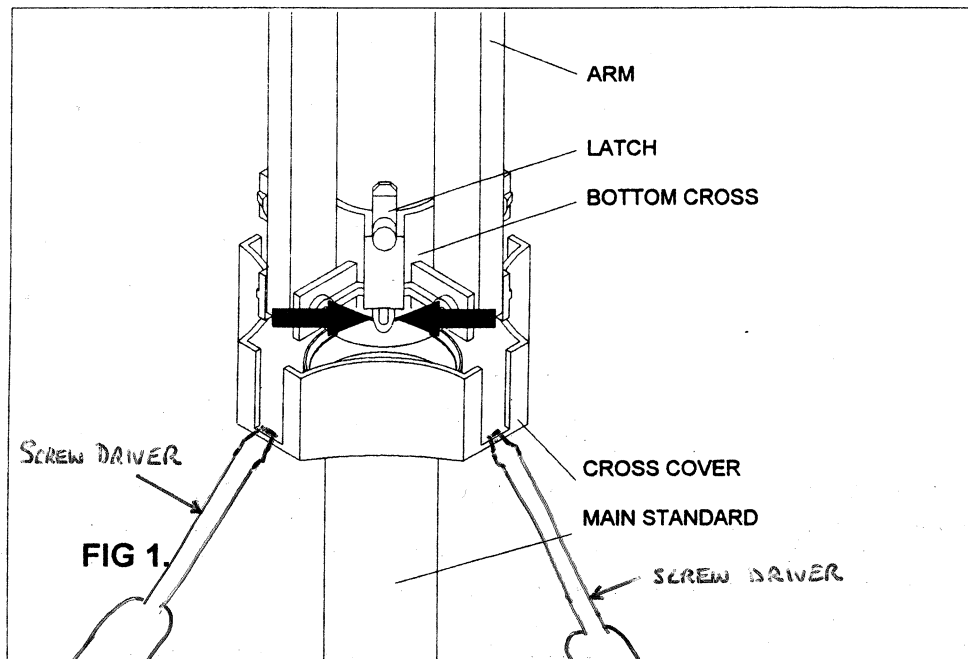




FOLDALINE LATCH REPLACEMENT - INSTRUCTION SHEET

IMPORTANT: READ THESE INSTRUCTIONS BEFORE ASSEMBLY AND USE.



LATCH REPLACEMENT INSTRUCTIONS.

IMPORTANT: *Protect your eyes* when removing and replacing plastic components.

TO REMOVE:

- Wind the Foldaline Hoist down to it's minimum height.
- Disengage the Cross Cover using two screwdrivers as levers and slide it down the Main Standard clear of the Bottom Cross. *
- Grip the bottom of the Latch with multigrips or vicegrips (pliers are not recommended) at the point indicated by arrows. See FIG 1.
- Squeeze firmly until Latch can be worked upwards and free of the Bottom Cross. Remove and discard.

TO REPLACE:

- Place new Latch into the Bottom Cross. Protect the top of the Latch and tap into position with a hammer.

CAUTION: *Protect your eyes* when using hammer.

FOLDALINE LATCH REPLACEMENT PACK CONTAINS:

DESCRIPTION	QTY.
Foldaline Latch	1

* SCREW DRIVERS PLACED AT THE GAP BETWEEN THE CROSS COVER AND THE ARM ASSEMBLY. WORK THEM AS A LEVER