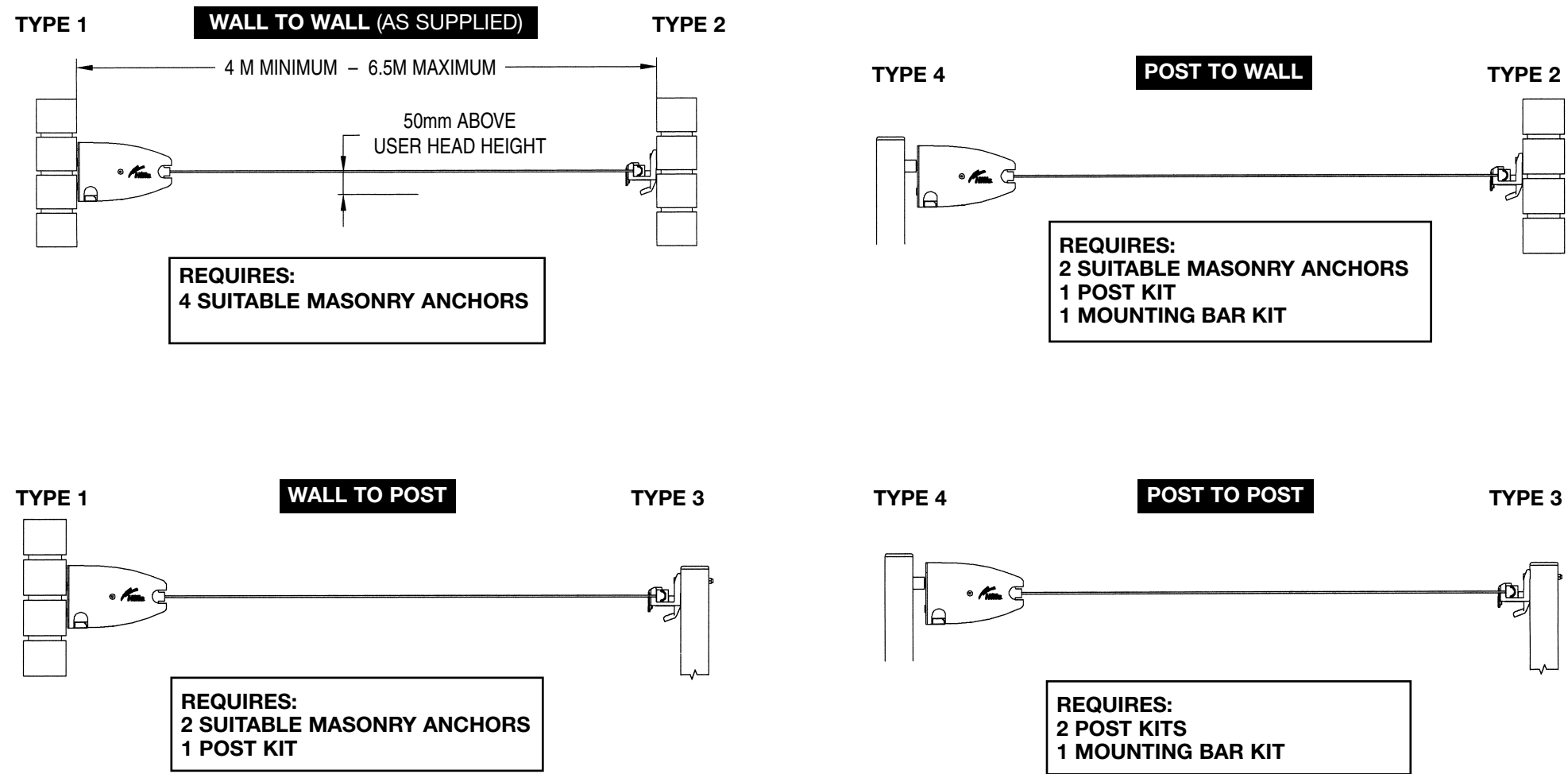


1

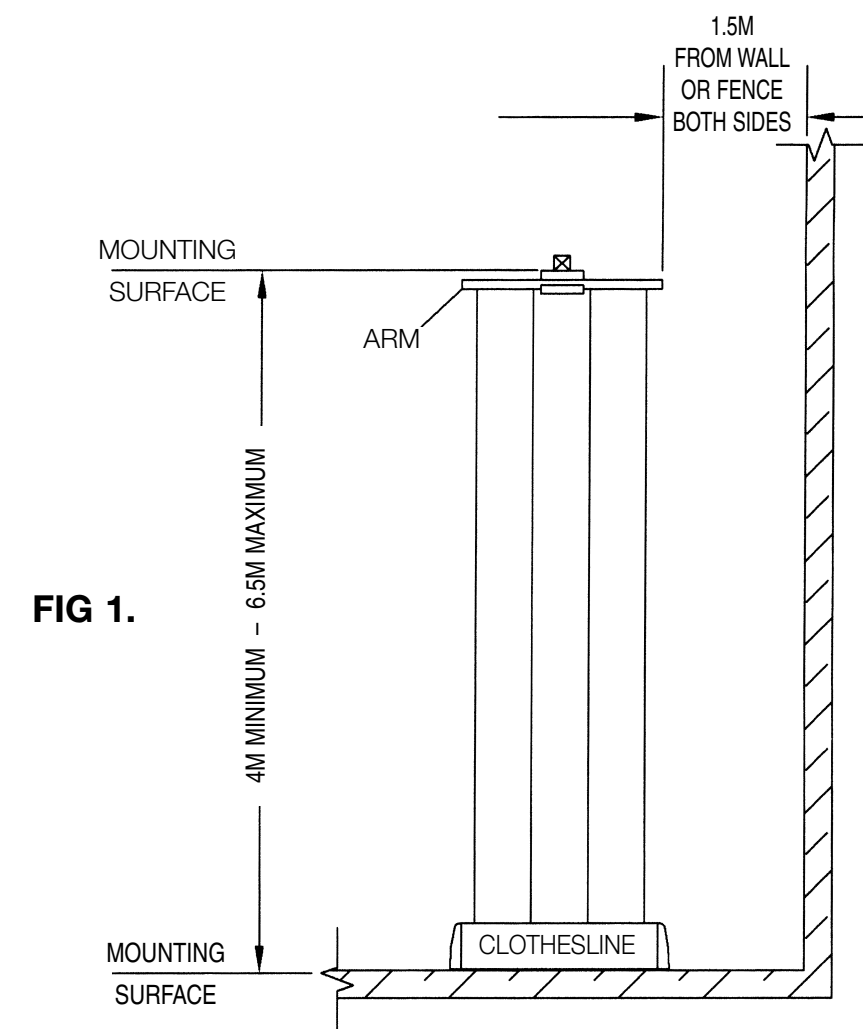


FASTENER SPECIFICATIONS

MASONRY ANCHORS ARE NOT INCLUDED. CONSULT YOUR LOCAL HARDWARE STORE FOR ADVICE ON WHICH TYPE OF FASTENERS ARE MOST SUITABLE FOR YOUR PARTICULAR APPLICATION. WHEN USING MASONRY ANCHORS, THE CLOTHESLINE IS TO BE FITTED TO THE WALL USING 10mm (M8) ANCHORS SUITABLE FOR 8mm (5/16") DIAMETER BOLTS.

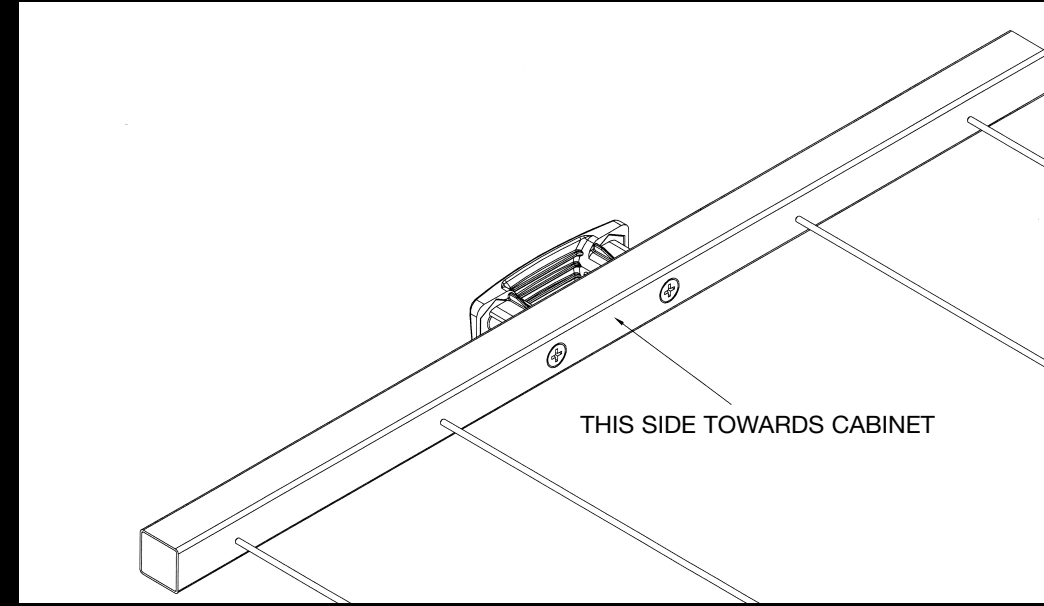
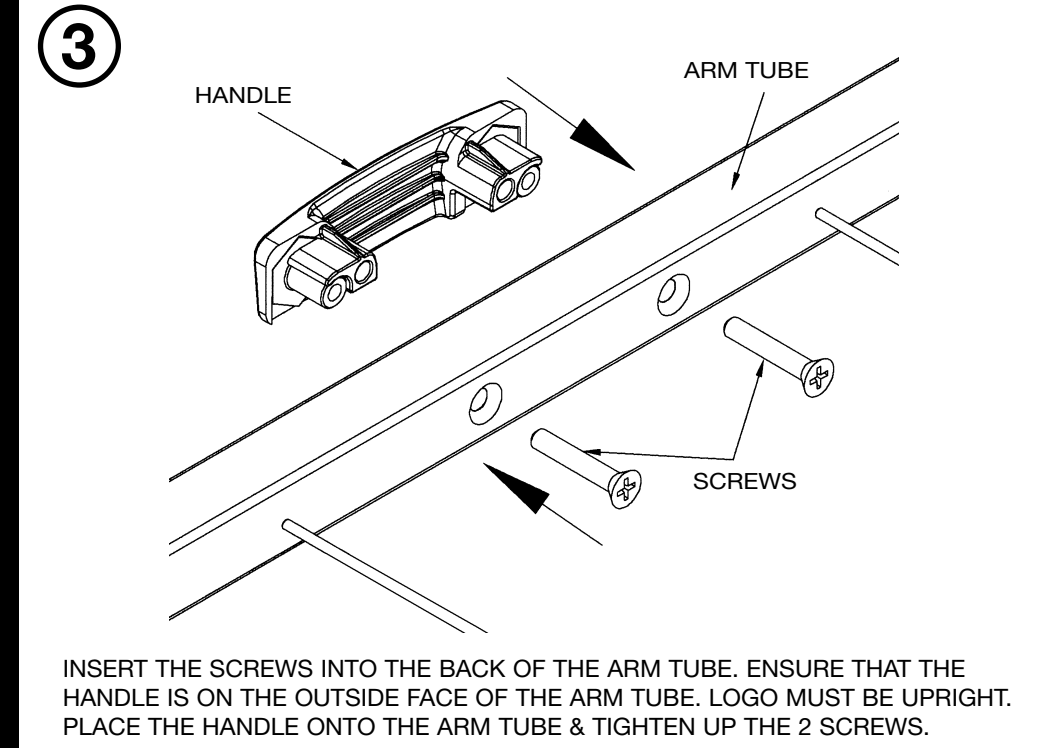
2

IMPORTANT: SELECT A SUITABLE SITE TO INSTALL YOUR NEW **RETRACTING CLOTHESLINE** DRYER. DETERMINE WHICH MOUNTING METHOD YOU WANT TO USE AND FOLLOW THE SIMPLE INSTRUCTIONS DISPLAYED BELOW AS SHOWN IN **FIG 1**. **DO NOT** EXCEED 6.5 METRES BETWEEN MOUNTING SURFACES. ALLOW 1.5 METRES SIDE CLEARANCE BETWEEN THE LINE AND WALL, FENCE, SHED ETC.

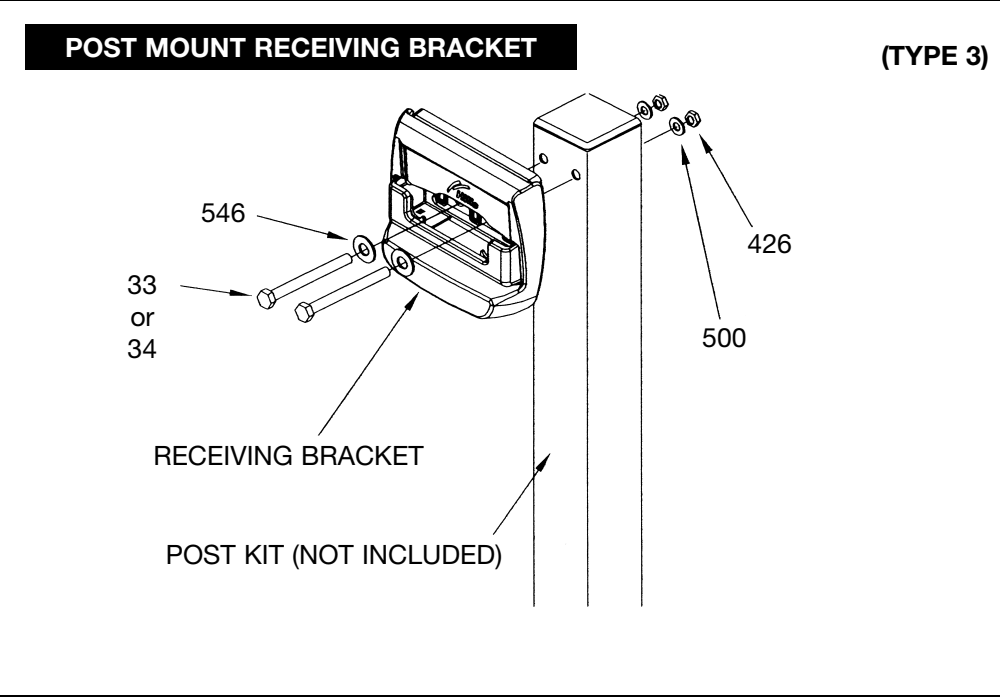
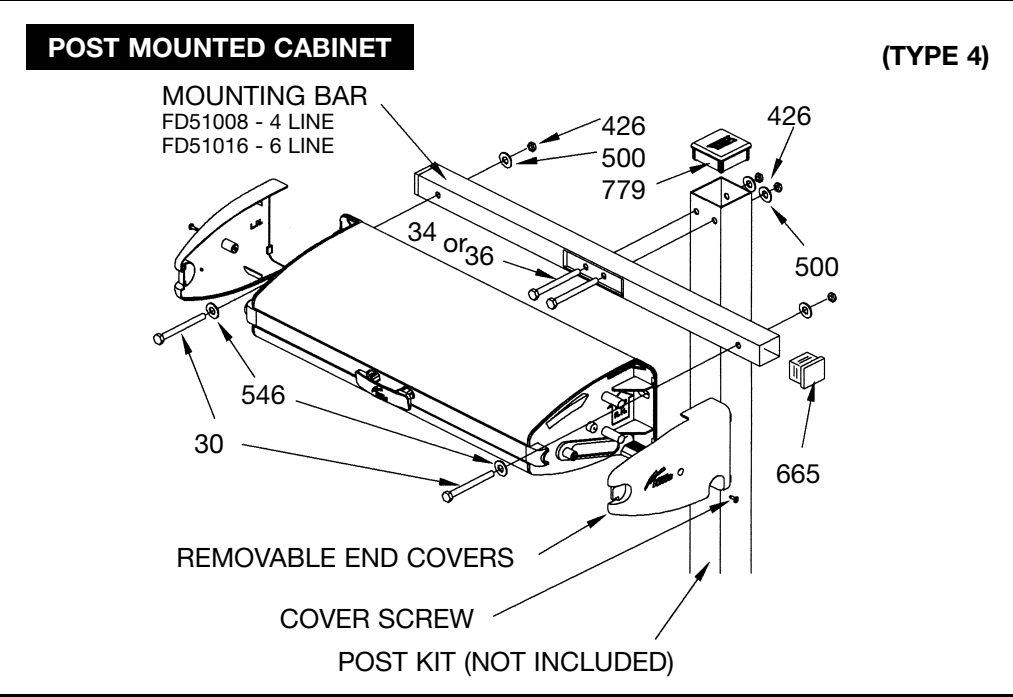
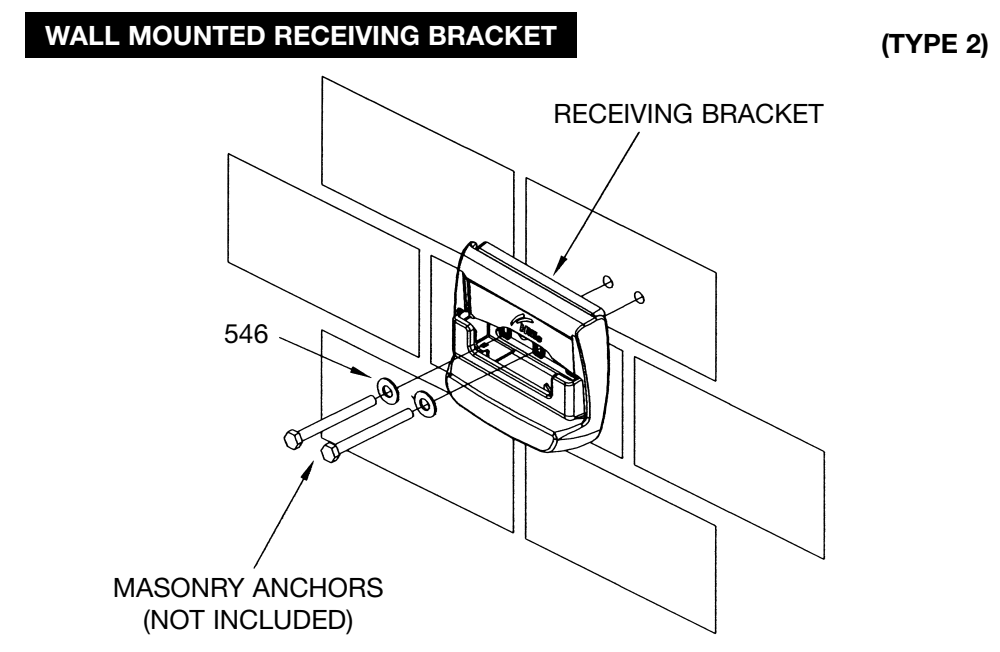
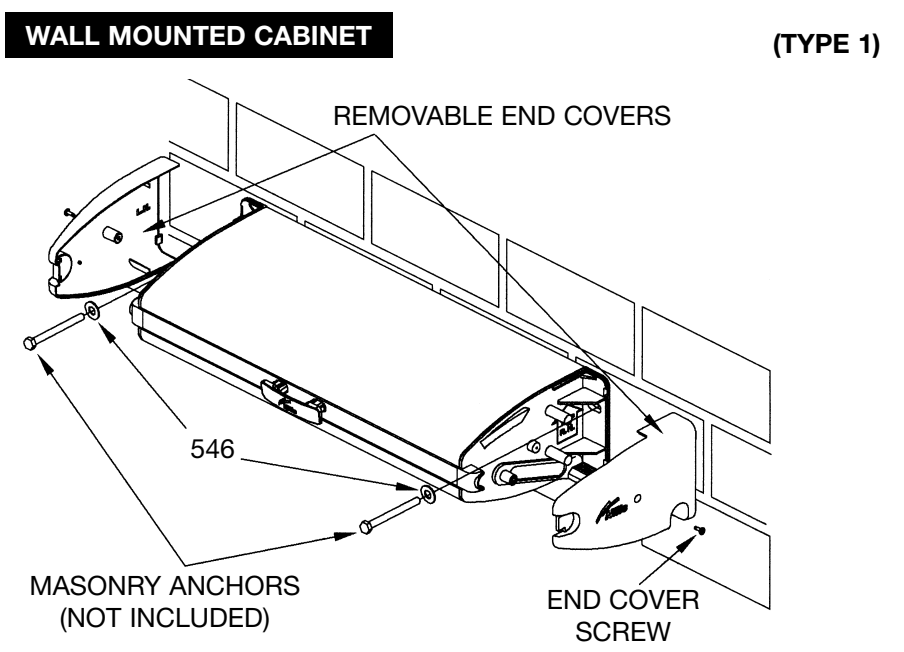


IMPORTANT: MAY NOT BE SUITABLE FOR MOUNTING ON TIMBER FRAME DWELLINGS UNLESS CABINET OR RECEIVING BRACKET IS MOUNTED DIRECTLY ONTO VERTICAL STUDS. NOT THE CLADDING.

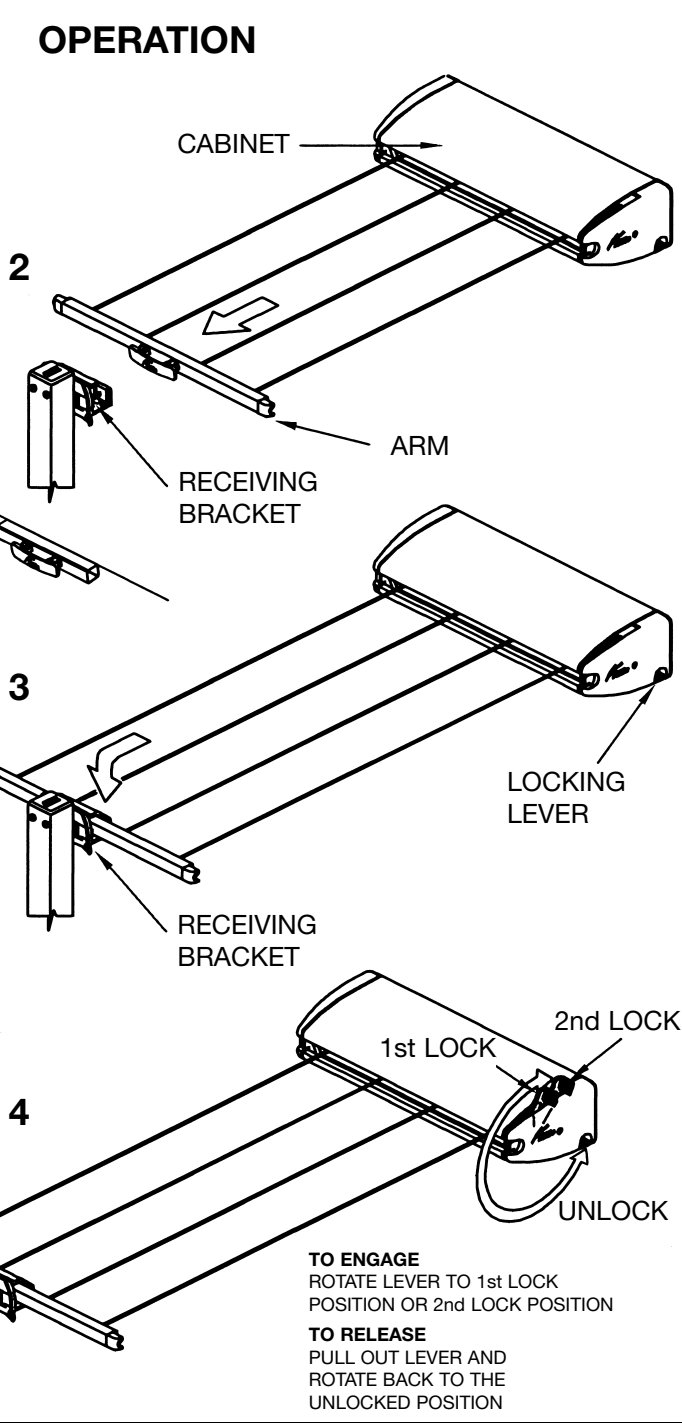
3



4



5



IMPORTANT: DO NOT operate the Locking Lever when the Arm is located in the Cabinet. DO NOT release the locking mechanism when there are clothes attached to the lines.

TO EXTEND THE LINE:
 Pull the Arm from the Cabinet and holding it firmly, walk it along to the Receiving Bracket. See Fig 2.

TO ATTACH THE ARM:
 Grip the Arm/Handle with each hand either side of the Receiving Bracket. Place the Arm/Handle into the top of the bracket. Push against receiving bracket & rotate it down until it locks into place. See Fig 3 & 5.

TO LOCK AND TENSION THE LINE:
 When the Arm/Handle is engaged into the Receiving Bracket, rotate the Locking Lever located on the right hand side of the Cabinet from the unlocked position upwards and around until it locates into the first lock position. This provides normal tension of the lines. See Fig 6. Check that the lever is locked by pulling firmly on the lines. See Fig 4 & 6.
 For extra tension of the lines, rotate the locking lever further until it locates into the second lock position. See Fig 6.

TO UNLATCH THE ARM:
WARNING: Ensure lines are not under tension before unlatching the arm. Pull out locking lever and return to unlock position. See Fig 4 and Fig 6. On the Receiving Bracket, push base forwards with one hand and lift arm upwards with other hand. See Fig 7.

WARNING:
 Lines are under spring tension. DO NOT allow the arm and lines to retract uncontrolled as this may lead to personal injury or property damage. Hold the Arm securely and walk it back to the Cabinet.

