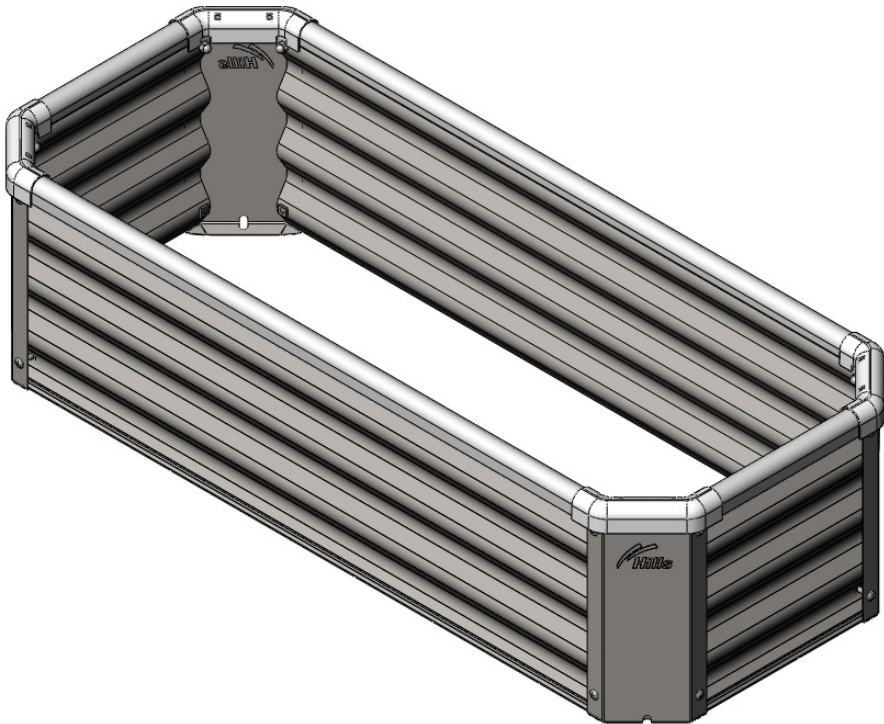


Hills® Junior Garden Bed Product Manual



Congratulations

Congratulations on the purchase of your **Hills Junior Garden Bed** and thank you for choosing Hills.

The Hills Junior Garden Bed is easy to assemble using everyday tools.



This product was designed and developed only to be used as a garden bed for growing plants, vegetables, herbs and flowers. It is not for use by children as a sand pit, playpen or wading pool.

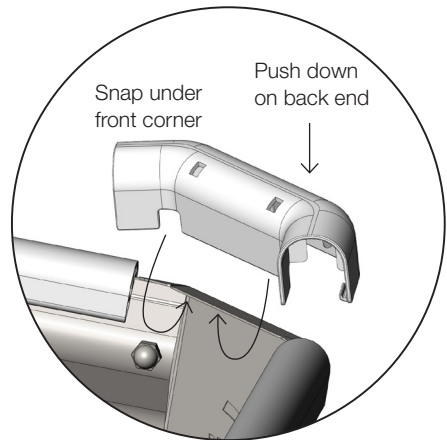
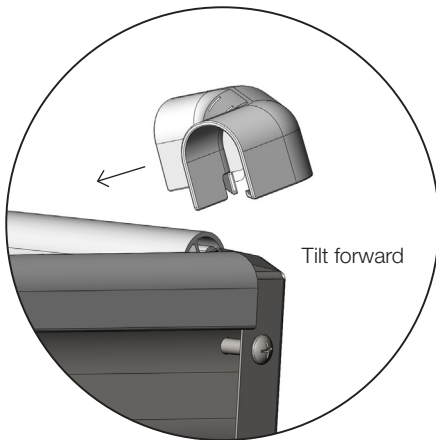
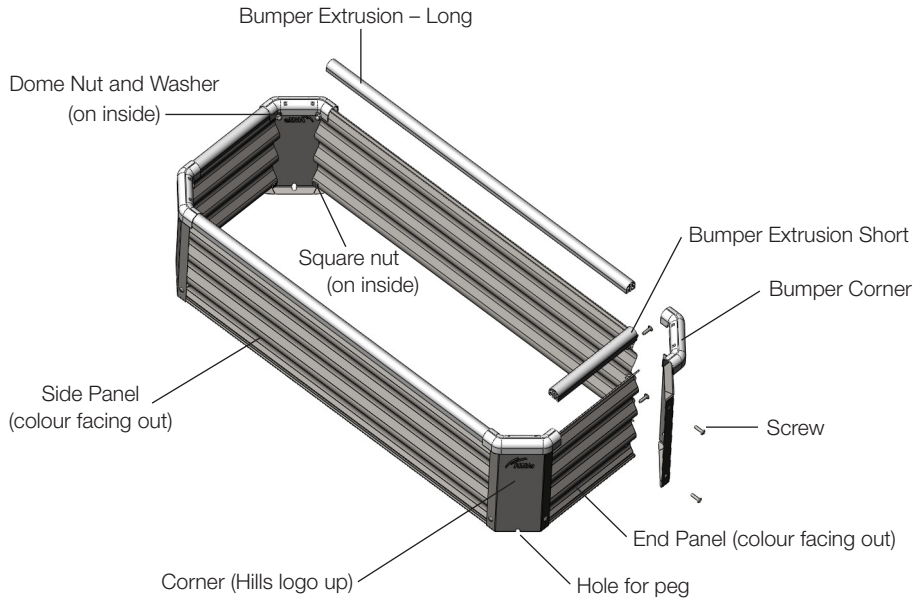
Carton Contents

Part Name	Qty.
Corner	4
Side Panel	2
End Panel	2
Screw	16
Nut – Square	8
Nut – Dome	8
Washer	8
Bumper Extrusion – Long	2
Bumper Extrusion – Short	2
Bumper Corner	4

You will need

- Screwdriver
- 6 x 25 litre bags of garden loam
- Seedlings of your choice

Assembly



Assembly

1. Choose a suitable location for your Hills Junior Garden Bed.
2. Measure the area to ensure you have room to place your Junior Garden Bed. You will need minimum free space of 1.1m long x 0.46m wide.
3. Assemble the corners to the side and end panels, as per the product image on page 3 and the important points below.
4. Ensure that the dome nuts and washers are used on the top of the panels and corner assembly.



Due to the nature of the materials used (corrugated sheeting and pressed metal), take care when handling as sharp edges may be present. Use garden gloves.

Ensure: Correct orientation of the corner brackets (Hills logo up).

Ensure: The coloured face of the panels and corner are facing outwards as shown on the carton.

Ensure: Correct orientation of all fasteners (nuts on the inside).



Do not over tighten the fasteners. Due to the 'springy' nature of the corrugated profile, we suggest you need to only tighten the top and bottom fasteners on the corners until approximately two threads have passed through the nut.

5. Push down and clip the short Bumper Extrusion onto the end panels as per image on page 3.
6. Push down and clip the long Bumper Extrusion onto the side panels as per image on page 3.
7. Tilt the Bumper Corner forward and snap under the front of the steel corner. Push down on the back end of the Bumper Corner to secure in place. Refer to image on page 3. Repeat for all corners.
8. Ensure bumpers are secure and cover all steel edges.
9. Position your Junior Garden Bed exactly where you want it, as it will be difficult to move when full of soil.



Note: You may wish to secure your Hills Junior Garden Bed using steel pegs (not supplied). Holes have been included in the bottom edge of the corners.

10. Place all cardboard packaging in the base of your Hills Junior Garden Bed. This will form a guard to inhibit weeds growing in your Junior Garden Bed.
11. Now fill with dirt, soil, compost etc, and start planting!



Refer to instructions from manufacturer of bagged soil for safety guidelines.

Hills Warranty

1. Hills provides consumers with the following warranty in relation to this Product, in addition to complying with the requirements of any relevant legislation, including the Competition and Consumer Act 2010 (Cth) in Australia and the Consumer Guarantees Act 1993 in New Zealand (the **Acts**), except where a New Zealand consumer acquires the relevant Product for the purposes of a business.
2. In this warranty, we have used the following definitions:
 - (a) **Hills, our or we** means Hills Holdings Limited (ABN 35 007 573 417) of 159 Port Road Hindmarsh South Australia 5007;
 - (b) **Products** means the following goods manufactured by Hills (including products manufactured for Hills by its contract manufacturers): **Hills Junior Garden Bed;**
 - (c) **Material** means a material or component used by Hills in the manufacture of the Products;
 - (d) **Warranty Period** means 3 years from the date of purchase of the relevant Product. If the Product or part (as the case may be) is repaired or replaced, there will be no extension to the original warranty period; and
 - (e) **Workmanship** means the handling, assembly and manufacturing processes performed by or on behalf of Hills in order to manufacture the Products.
3. Hills warrants that for the duration of the Warranty Period, all Products will be free of faults arising from defects in Workmanship or Materials, on the terms and conditions set out in this warranty.
4. Hills undertakes that if during the Warranty Period any Product, or any part of a Product, has failed to operate correctly due to faulty Workmanship or defective Material, it will repair or replace the Product or part (as the case may be) free of charge provided that the following procedure is met:
 - (a) The consumer must contact Hills upon becoming aware of any defect to a Product. The contact details for Hills are set out in this warranty and under the heading "Hills Contacts".
 - (b) Following consultation with Hills, Hills will determine whether there is a defect, and if so Hills agrees to (at Hills' option):
 - i. in the case of goods – repair, replace or supply equivalent goods, or pay the cost of any of those remedies to the consumer; or
 - ii. in the case of services – supply the services again or pay the cost of having the services supplied again.
 - (c) If Hills requests the return of the applicable Product or part, Hills will be responsible for the collection and freight costs of returning that Product or part. The consumer agrees to assist Hills with any reasonable request to enable Hills to collect such Product or part.
 - (d) Hills also agrees to be responsible for the freight costs to deliver any new Product or replacement part to the consumer.

Warranty

5. This warranty is in addition to any non-excludable legal rights or remedies conferred on the consumer under any applicable Act and any similar laws. To the extent permitted by law, Hills' liability for any non-excludable condition or warranty is limited to rectifying any defect at its option, as set out in paragraph 4(b).
6. Subject to the requirements of any applicable Act or legislation and to the extent permitted by law, no liability (whether expressed or implied) of any nature whatsoever, is accepted by Hills for any consequential loss, damage or injury arising as a result of any fault in the Products.
7. This warranty does not extend to damage to Products which occurs during transit or transportation, or which is caused by any abuse, accident or improper installation, connection, use, adjustment or repair or use of goods otherwise than in accordance with instructions issued by Hills.
8. The warranty on Products is waived if any addition or attachment to the Products do not have Hills' specific approval or are not sold as Hills products. The Products are designed to perform specific tasks under established test loads and unauthorised attachments may produce stresses for which the design is not appropriate.
9. The following applies to consumers who purchased a relevant Product in Australia:

Our goods come with guarantees that cannot be excluded under the Australian Consumer Law. You are entitled to a replacement or refund for a major failure and compensation for any other reasonably foreseeable loss or damage. You are also entitled to have the goods repaired or replaced if the goods fail to be of acceptable quality and the failure does not amount to a major failure.

Hills Contacts

We are committed to providing you with complete customer satisfaction. If you have any questions or comments about our products or services please contact your nearest customer service centre during their local business hours:

Australia

1300 300 564
info@hills.com.au

New Zealand

09 262 3052
sales@hills.co.nz

Rest of World

Refer to Hills website
home page, contacts tab
www.hills.com.au/en.contact-us

Hills Websites

www.hills.com.au
Hills Branded Products

www.hillsholdings.com.au
Hills Holdings Limited

Please retain this Product Manual. Record the following information for future reference.

Product Number (printed on carton): FH

Date of purchase:

Name and location of store:

.....



Designed and tested under a Quality System that meets Hills demanding quality specifications.

Made in China



Hills Holdings Limited

A.B.N. 35 007 573 417

Issue February 2013

PH1720a

MSD 1227