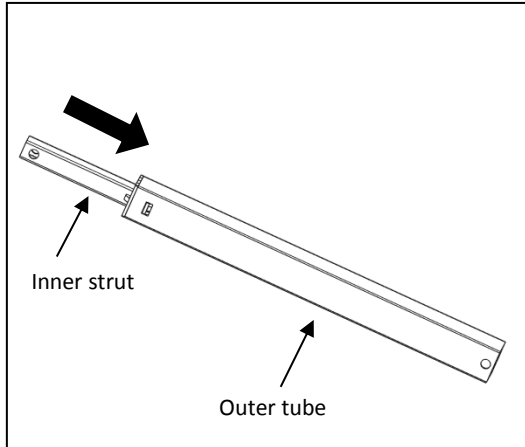
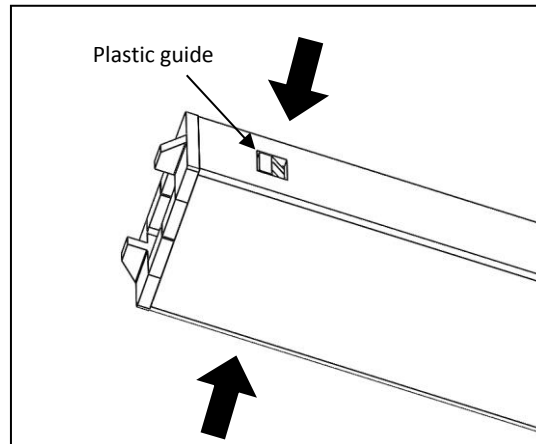


## FRAZER FOLDING FRAME CLOTHESLINE STRUT INSERT REPLACEMENT

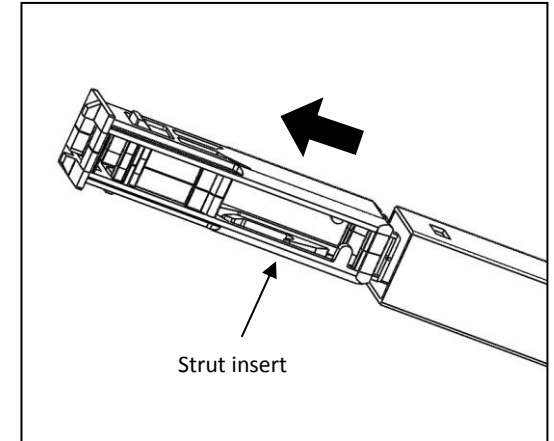
Step 1: Remove the strut from the clothesline, slide the inner strut out of the outer tube



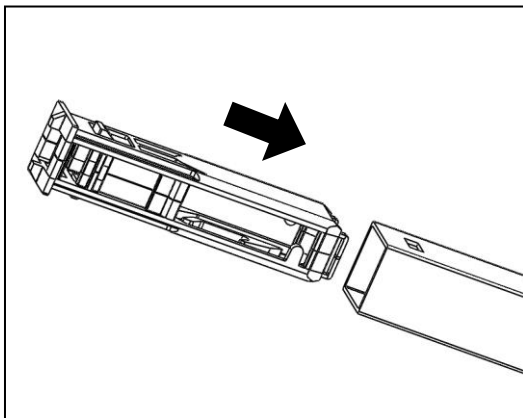
Step 2: Use a skew driver to press down the plastic guide of both sides



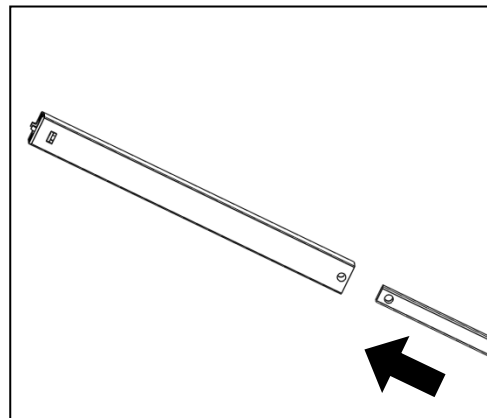
Step 3: Slide the strut insert out of the outer tube



Step 4: Insert the new strut insert into the outer tube until a click is heard



Step 5: Slide the inner strut into the outer tube from the bottom



Step 6: Install the new strut back to the clothesline

