

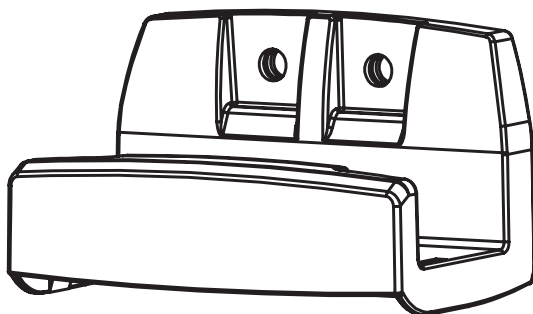


# **Hills**®

## **Receiving Bracket Replacement**

**Retracting Line**

Product Manual



**TO SUIT MODELS:**

**Extenda 6**

**Extenda 4**

**Everyday 6-line**

**Everyday 4-line**

## Congratulations

Congratulations on the purchase of your new **Hills Retracting Line Receiving Bracket**. It is important that you read these instructions thoroughly before installation and use. In this way you will benefit from all the design features and enjoy safe use of the product.

Thank you for choosing Hills.

## WARNING

Lines are under spring tension. **DO NOT** allow the arm and lines to retract uncontrolled as this may lead to personal injury or property damage. Hold the arm and walk it towards the cabinet.

## Pack contents

Part name	Qty.
Receiving Bracket	1
Product Manual	1

Please retain this Product Manual. Record the following information for future reference.

Product Number (printed on label): \_\_\_\_\_

Date of purchase: \_\_\_\_\_



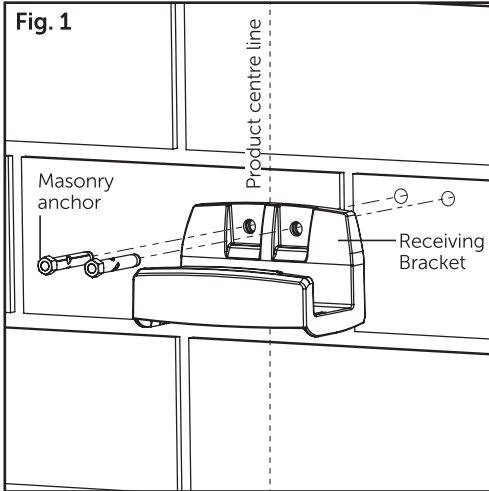
Designed and tested under a Quality System that meets Hills demanding quality specifications.

Made in China

## Receiving Bracket Assembly

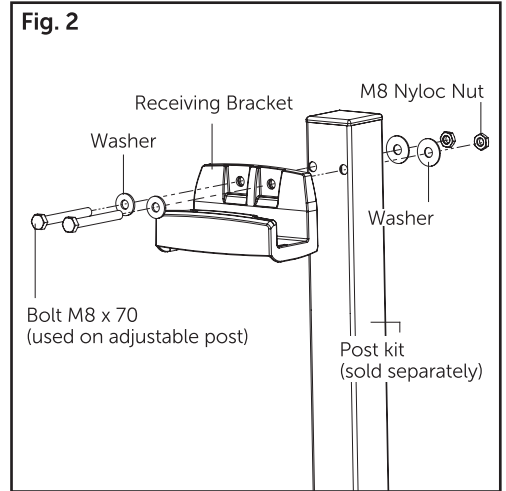
### To remove:

1. Unlock the line and return the arm to the cabinet.
2. Remove bolts and discard old Receiving Bracket (**Fig. 1 & Fig. 2**).



### To replace:

1. Position the new Receiving Bracket onto the wall/post and secure with bolts, nuts and washers (**Fig. 1 & Fig. 2**).



**Note:** Masonry anchors are not supplied. Consult your local hardware store for masonry anchors most suitable for your particular application.

Refer to owners manual supplied with the clothesline for correct operation and maintenance instructions.

## Hills Contacts

We are committed to providing you with complete customer satisfaction. If you have any questions or comments about our products or services please contact your nearest Customer Service Centre during their local business hours:

### Australia

1300 300 564

### Hills Websites

[hillshome.com.au](http://hillshome.com.au)

Hills Home Living

### New Zealand

0800 021 027

[hillshome.com.au/need-help/](http://hillshome.com.au/need-help/)

Hills Consumer Advice

**Cyclone Tools Pty Ltd**

A.B.N. 92 138 990 584

Issue October 2016

HD10884b

