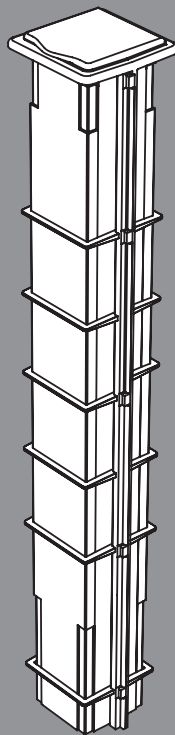


The logo graphic consists of two thick, black, curved lines that sweep upwards and to the right, resembling a stylized hill or a protective shield.

Hills®

**Retracting
Clothesline
Ground
Socket**

Product Manual



Instructions:

It is important that you read these instructions thoroughly before installation and use to benefit from all the design features and enjoy safe use of this product.

Thank you for choosing Hills.

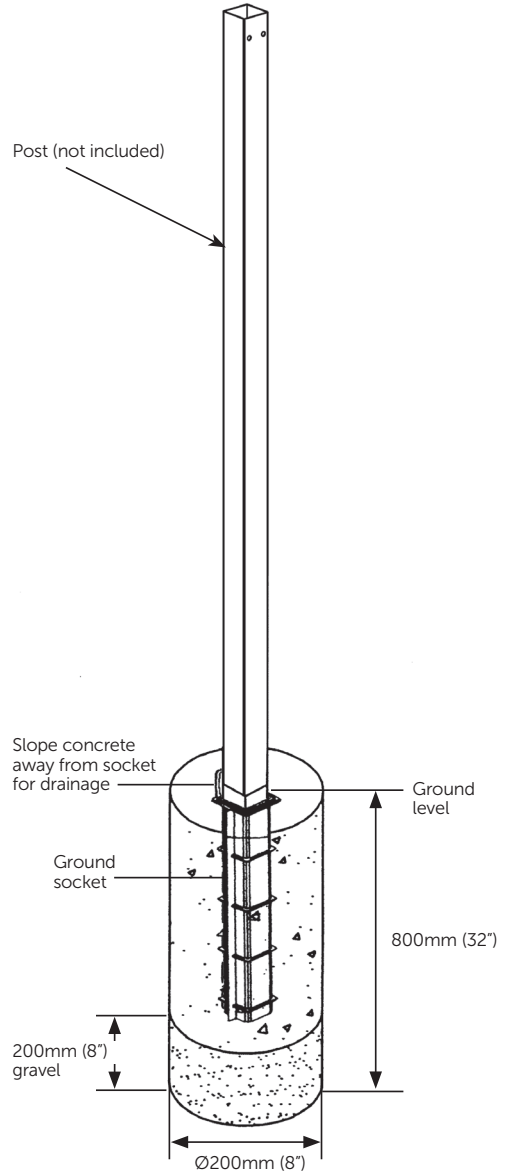
Installation:

1. Mark out the desired position for the socket, in line with the Retracting Clothesline Cabinet.
2. Refer to your Retracting Clothesline owner's manual for site selection and installation details.
3. Dig a hole 200mm (8") in diameter x 800mm (32") deep. Place approximately 200mm (8") of coarse gravel in the bottom of the hole.
4. Insert the post into the ground socket and place into the hole.
5. Adjust until the flange of the ground socket sits just above the ground and finished concrete.
6. Support the post and ground socket, and concrete into position.
7. Concrete should be damp enough to hold together when squeezed in your hand.
8. Settle the concrete by pushing a thin stick into the mix several times.
9. Use a spirit level to check the assembly is vertical.
10. Slope the surface of the concrete away from the post to provide drainage.

Allow 48 hours for the concrete to set before use.

Do not remove the post until the concrete has set.

NOTE: The use of the ground socket will set the clothesline approximately 1.8m (5' 11") above ground level. To lower the line height, cut the required amount from the bottom of the post, so the top holes are 75mm (3") above the head height of the user.



Hills Contacts

We are committed to providing you with complete customer satisfaction. If you have any questions or comments about our products or services please contact your nearest Customer Service Centre during their local business hours:

Australia

1300 300 564

New Zealand

0800 021 027

Email

hhl.enquiries@amesau.com

Hills Websites

hillshome.com.au

Hills Home Living

hillshome.com.au/need-help/

Hills Consumer Advice

Please retain this Product Manual. Record the following information for future reference.

Product Number (printed on carton): _____

Date of purchase: _____

Name and location of store: _____



Designed and tested under a Quality System that meets Hills demanding quality specifications.

Made in China

AMES Australasia Pty Ltd
A.B.N. 89 169 427 061
Issue Mar 2019
HD10736c

